

MC-PCB

MUSIC CENTER PRE-CONSTRUCTION BRACKET

Congratulations on your purchase of the Music Center Pre-Construction Bracket. This will aid you in new construction applications by providing a template for the drywall to be cut around, creating the perfect mounting hole for the Music Center.

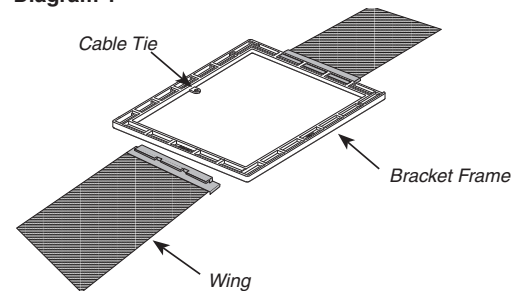
REASONS FOR USING A PRE-CONSTRUCTION BRACKET

1. To mark and define a hole for the drywall installer to cut out in order to mount your Music Center.
2. Provides a secure place to tie off the speaker cable.

BRACKET ASSEMBLY *(See Diagram 1)*

The Music Center Pre-Construction Bracket comes with two wings which horizontally to the bracket frame. Simply align the notches on the wing grooves in the bracket and snap into place. The wings will span studs center.

Diagram 1



BRACKET INSTALLATION

1. Screw, nail, or staple the assembled bracket to the studs. *(See Diagram 2)* **NOTE:** The Bracket is clearly marked "front" and "back". Be sure the side marked "front" faces outward.
2. Run the cables through the cable tie on the Bracket.
3. The location is now ready for drywall to be hung, providing the perfect location to mount the Music Center. *(See Diagram 3)*

Diagram 2

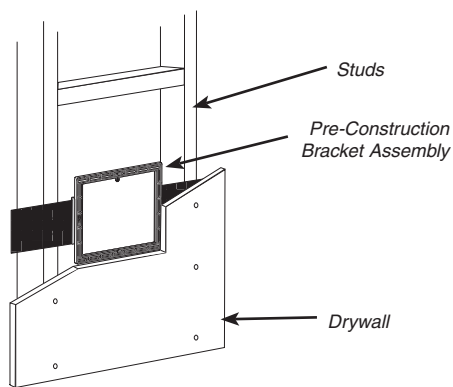
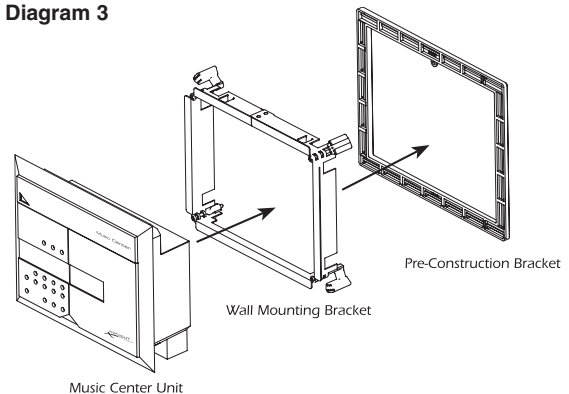


Diagram 3



Should you have any questions regarding this, or any other Proficient Audio Systems product, please call our service hotline at (909) 787-9940. We are available to assist you every weekday, except holidays, between the hours of 7:00 a.m. and 5:00 p.m. PST.