

PRE-CONSTRUCTION BRACKET

PCB-W600 • PCB-W800 • PCB-C500 • PCB-C600 • PCB-C800

WHY USE A PRE-CONSTRUCTION BRACKET?

The Pre-Construction Bracket ...

... Provides a template for the drywall cutout, leaving the perfect location to mount your speakers.

... Provides a secure place to tie off the speaker cable.

ASSEMBLING THE BRACKET

Each Pre-Construction Bracket comes with two wings which snap onto the bracket frame. The wings can be mounted on any side of the rectangular bracket frame or anywhere on the round bracket frame. (Diagram 1)

To Install the Wing to the Bracket Frame

Align the notches on the wing with the bracket grooves and apply pressure to snap into place.

To Remove the Wing from the Bracket Frame

Apply ample pressure to the wing to detach it from the bracket.

INSTALLING THE BRACKET

1. Mount the wings to the bracket frame by aligning the notches on the wing with the grooves on the bracket. Snap into place by applying pressure. (Diagram 1)
2. Screw, nail, or staple the assembled bracket into the studs/joists. (Diagram 2) Be sure that you have at least 2½" of clearance on either side of the mounting frame so that the mounting feet don't hit the studs. **NOTE:** Place the frame so that the side with the cable tie is toward the wall.
3. Run the speaker cable through the cable tie on the bracket.
4. The location is now ready for drywall to be hung, providing a perfect location to mount your speakers.

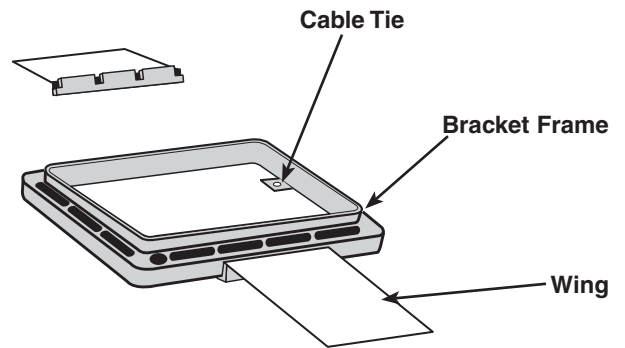


Diagram 1

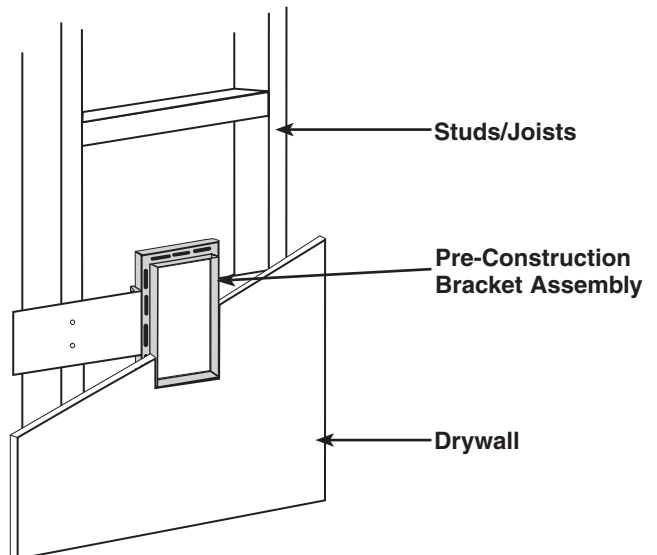


Diagram 2

Should you have any questions regarding this, or any other Proficient Audio Systems product, please call our service hotline at (909) 787-9940. We are available to assist you every weekday, except holidays, between the hours of 7:00 a.m. and 5:00 p.m. PST.