

PROFICIENT™ Audio Systems

OWNER'S MANUAL

VCS60

Stereo Volume Control

INTRODUCTION

The VCS60 is a wall mounted stereo volume control, which connects between a pair of speakers and the speaker level output of an amplifier, receiver or speaker selector.

PLACING THE VCS60

Before mounting the volume control into the wall, consider how it will be used. It is important to keep in mind the location of the primary listening area and the ease of running the wire to the location you choose. It is common to mount the volume control by the door as you walk into a room, next to existing wall fixtures, or in the primary area where you will be listening to music.

Do not place the volume control into the same box as a 110V AC circuit. (i.e. light switch, electrical outlet, etc.). Speaker wires can act as an "antenna" for electrical noise. Placing

speaker wires too close to a light switch or dimmer may cause buzzing or popping sounds to be heard through the speakers. If you must locate the VCS60 near electrical devices, use a separate electrical box.

Once the location has been determined, install a standard single gang plaster ring, or a single gang electrical box (light switch type) before installing the VCS60.

WIRING THE VCS60

CAUTION

- Please be sure that your amplifier or receiver is turned off prior to wiring the VCS60.
- Damage to your audio system may occur if the VCS60 is not wired properly.

The VCS60 features a quick and secure wire connecting system, which eliminates the need for turning small screws.

For best results, strip the speaker wire no more than ¼" from the end. Push the wire completely into the opening on the connector, then lift the lever using your finger or screwdriver. This will secure the wire. (*see Figure 1*)

If you need to remove the wire, simply push the lever down. This can be done with your finger, but it may be easier to use a screwdriver or similar tool. With the lever in the down position, you can pull the wire out.

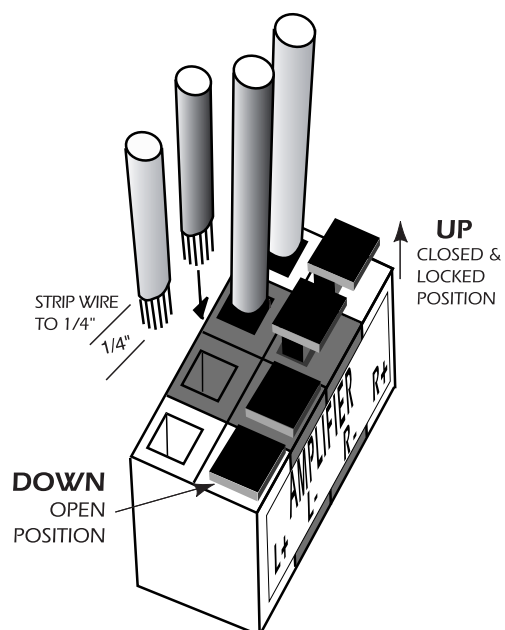


Figure 1

WIRING THE VCS60 (Continued)

Refer to **Figure 2** when wiring the VCS60:

1. Connect the amplifier or receiver's left speaker output to the left **amplifier terminals** of the VCS60. Please observe proper polarity of the connections (+ amplifier to + input on the VCS60).
2. Repeat step 1 for the right side.
3. Connect the wires from the left speaker to the left **speaker output terminals** of the VCS60. Please observe proper polarity of the wires for correct speaker phase (+ speaker to + output).
4. Repeat step 3 for right speaker connection.

CAUTION

If the input and output connections are reversed, the minimum setting on the VCS60 would present a short across the amplifier or receiver output terminals, resulting in serious damage to your amplifier or receiver. Please double check steps 1 - 4. The VCS60 cannot be connected in series with another volume control.

MOUNTING THE VCS60

Once the VCS60 has been wired, it is ready to be mounted into the wall. Referring to **Figure 3**, place the components of the control into the wall in the order illustrated. Use the enclosed screws to hold the components in place.

NOTE: The rotary switch is shipped with the control turned as far counterclockwise as it will turn (off). If you have changed this, return it to the full counterclockwise position before starting the installation.

LIMITED TEN-YEAR WARRANTY

Proficient Audio Systems warrants to the original retail purchaser **only** that this product will be free from defects in materials and workmanship for a period of ten years, provided the speaker was purchased from a Proficient Audio Systems Authorized Dealer.

Defective products must be shipped, prepaid and insured, together with proof of purchase, to the Proficient Audio Systems Authorized Dealer from whom they were purchased, or to Proficient Audio Systems at the address listed on this installation instruction manual. Freight collect shipments will be refused. It is preferable to ship this product in the original shipping container to lessen the chance of transit damage. In any case, the risk of loss or damage in transit is to be borne by the purchaser.

If, upon examination at the Factory or Proficient Audio Systems Authorized Dealer, it is determined that the unit was defective in materials or workmanship at any time during this warranty period, Proficient Audio Systems or the Proficient Audio Systems Authorized Dealer will, at its option, repair or replace this product at no additional charge, except as set forth below. If this model is no longer available and can not be repaired effectively, Proficient Audio Systems, at its sole option, may replace the unit with a current model of equal or greater value. In some cases where a new model is substituted, a modification to the mounting surface may be required. If mounting surface modification is required, Proficient Audio Systems assumes no responsibility or liability for such modification. All replaced parts and product become the property of Proficient Audio Systems. Products replaced or repaired under this Warranty will be returned to the original retail purchaser, within a reasonable time, freight prepaid.

Should you have any questions regarding this, or any other Proficient Audio Systems product, please call our service hotline at (909) 787-9940. We are available to assist you every weekday, except holidays, between the hours of 7:00 a.m. and 5:00 p.m. PST.

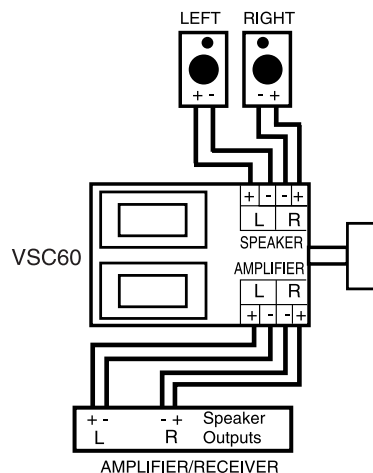


Figure 2

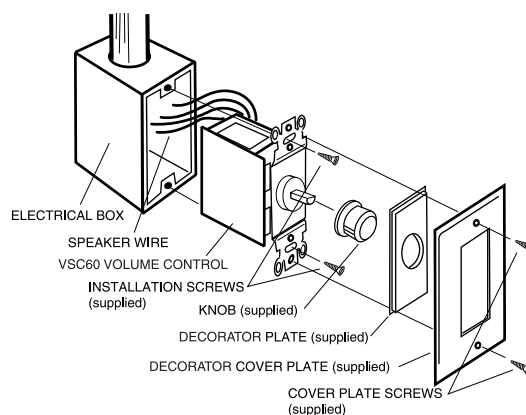


Figure 3

This Warranty does not include service or parts to repair damage caused by accident, disaster, misuse, abuse, negligence, inadequate packing or shipping procedures, commercial use, voltage inputs in excess of the rated maximum of the unit, or service, repair or modification of the product which has not been authorized or approved by Proficient Audio Systems. This Warranty also excludes normal cosmetic deterioration caused by environmental conditions. This warranty will be void if the Serial Number on the product has been removed, tampered with or defaced.

This Warranty is in lieu of all other expressed warranties. If the product is defective in materials or workmanship as warranted above, the purchaser's sole remedy shall be repair or replacement as provided above. In no event will Proficient Audio Systems be liable for any incidental or consequential damages arising out of the use or inability to use the product, even if Proficient Audio Systems or a Proficient Audio Systems Authorized Dealer has been advised of the possibility of such damages, or for any claim by any other party. Some states do not allow the exclusion or limitation of consequential damages, so the above limitation and exclusion may not apply.

All implied warranties on the product are limited to the duration of this expressed Warranty. Some states do not allow limitation on the length of an implied warranty. If the original retail purchaser resides in such a state, this limitation does not apply.



940 Columbia Avenue • Riverside, CA 92507 • 909.787.9940